

# CASQUILLOS

## Casquillo Centrador CV2S

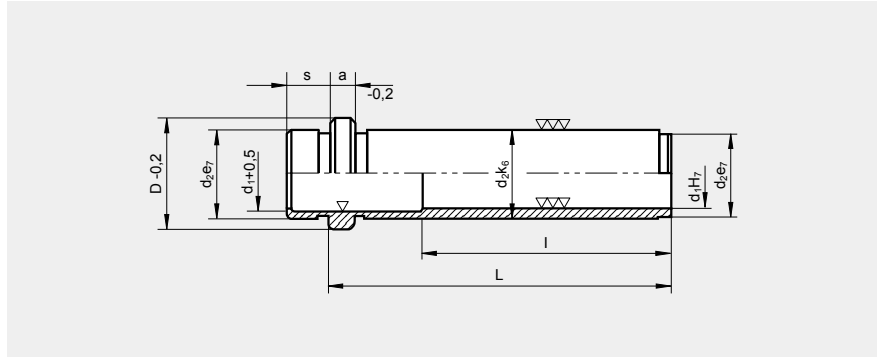
Norma Europea

Material: 1,7264

Tratamiento: Carbonitrurado prof. 0,6

Dureza: 60-62 HRC

Forma de pedido: CV2S/di x li x L



| d <sub>1</sub> | d <sub>2</sub> | D  | a  | s  | L  |    |    |    |    |    |      |      |      |       |     |       |     |
|----------------|----------------|----|----|----|----|----|----|----|----|----|------|------|------|-------|-----|-------|-----|
|                |                |    |    |    | 11 | 16 | 21 | 26 | 35 | 45 | 55   | 75   | 95   | 115   | 135 | 155   | 195 |
| 9/10           | 14             | 16 | 3  | 3  | •  | •  | •  | •  | •  | •  | l=45 |      |      |       |     |       |     |
| 14/15          | 20             | 24 | 6  | 9  |    | •  | •  | •  | •  | •  | •    | l=55 |      |       |     |       |     |
| 18/20          | 26             | 30 | 6  | 9  |    | •  | •  | •  | •  | •  | •    | l=75 |      |       |     |       |     |
| 22/24          | 30             | 35 | 6  | 9  |    | •  | •  | •  | •  | •  | •    | •    | l=95 |       |     |       |     |
| 30/32          | 42             | 47 | 6  | 9  |    |    |    | •  | •  | •  | •    | •    | •    | l=115 |     |       |     |
| 40/42          | 54             | 60 | 10 | 12 |    |    |    |    |    |    | •    | •    | •    | •     | •   | l=135 |     |

## Casquillo CVS

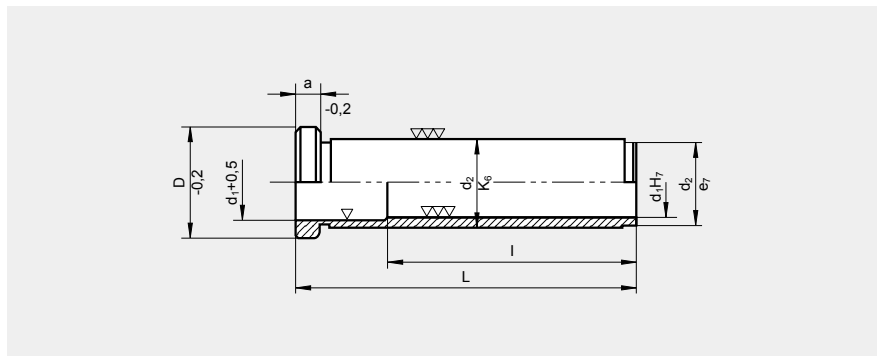
Norma Europea

Material: 1,7264

Tratamiento: Carbonitrurado prof. 0,6

Dureza: 60-62 HRC

Forma de pedido: CVS/di x li x L



| d <sub>1</sub> | d <sub>2</sub> | D  | a  | L  |    |    |    |    |    |      |      |      |      |       |      |     |     |
|----------------|----------------|----|----|----|----|----|----|----|----|------|------|------|------|-------|------|-----|-----|
|                |                |    |    | 11 | 16 | 21 | 26 | 35 | 45 | 55   | 75   | 95   | 115  | 135   | 155  | 195 | 245 |
| 9/10           | 14             | 16 | 3  | •  | •  | •  | •  | •  | •  | l=45 |      |      |      |       |      |     |     |
| 14/15          | 20             | 24 | 6  |    | •  | •  | •  | •  | •  | •    | l=55 |      |      |       |      |     |     |
| 18/20          | 26             | 30 | 6  |    | •  | •  | •  | •  | •  | •    | •    | l=75 |      |       |      |     |     |
| 22/24          | 30             | 35 | 6  |    | •  | •  | •  | •  | •  | •    | •    | •    | l=95 |       |      |     |     |
| 30/32          | 42             | 47 | 6  |    |    |    | •  | •  | •  | •    | •    | •    | •    | l=115 |      |     |     |
| 40/42          | 54             | 60 | 10 |    |    |    |    |    |    | •    | •    | •    | •    | •     | l=35 |     |     |
| 50             | 66             | 72 | 10 |    |    |    |    |    |    | •    | •    | •    | •    | •     | l=35 |     |     |
| 60             | 80             | 86 | 20 |    |    |    |    |    |    |      | •    | •    | •    | •     | l=35 |     |     |